

The JA-68 universal output module

The JA-68 is a universal output module designed for use within Jablotron systems of the JA-80 OASiS, JA-63 Profi and JA-65 Maestro series. The module provides eight factory pre-programmed semiconductor outputs and a switch-over relay output. The relay can be configured using 10 DIP switches which allows for multiple function assignment. There is no limit in the number of JA-68 modules used in the system. There is no limit to the number of JA-68 modules used in the system and the JA-68 module can be combined with GSM, LAN or PSTN (landline) communicators.

The module is designed for being placed into the control panel housing.

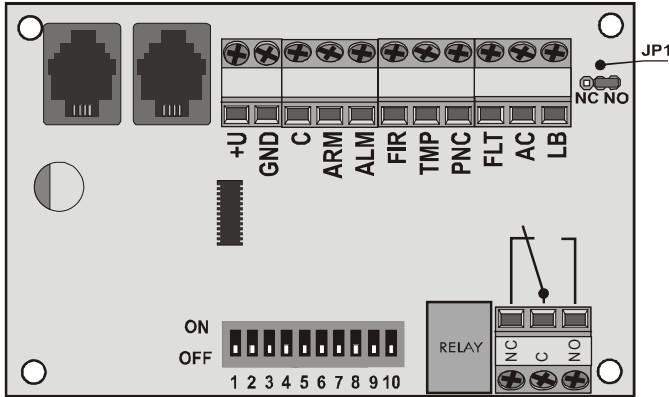


Figure 1

Example: Setting switches 2,3,4 and 5 to ON causes the relay to indicate intrusion, fire, tamper or panic alarms i.e. the relay switches ON if any of the four mentioned alarm states are activated.

DIP switches assignments:

Number	Label	Function
1	ARM	Anything set
2	ALM	Intrusion alarm
3	FIR	Fire alarm
4	TMP	Tamper alarm
5	PNC	Panic alarm
6	FLT	System fault
7	AC	Power supply fault
8	LB	Low battery
9	PGX	Control panel PGX output
10	PGY	Control panel PGY output

Table 2

Description of relay terminals:

Label	Description
NC	Normally Closed relay contact
C	Common relay contact
NO	Normally Open relay contact

Table 3

Semiconductor outputs

All semiconductor outputs are switchable to a common terminal labelled "C". The switching ON/OFF logic can be reversed by setting a jumper JP1 to the NC position (the factory default is NO).

Description of the terminals:

Terminal	Function
+U	Positive power supply from the digital bus (limited to 200 mA)
GND	Negative pole of the power supply
C	Common terminal (for all semiconductor outputs)
ARM	Anything-set status (A or AB or ABC)
ALM	Intruder alarm
FIR	Fire alarm
TMP	Tamper alarm
PNC	Panic alarm
FLT	Fault indication (general faults, radio communication faults, back-up battery supply faults)
AC	Mains (230V) supply fault
LB	Low battery indication (applies to wireless devices such as detectors, keypads, sirens or thermostats)

Table 1

Note: There is a minimum output activation time of 10 seconds for each of the 8 + 1 outputs.

Specification

Power supply	12V (taken from the control panel)
Stand-by consumption	4mA
Maximum consumption (all outputs activated)	50mA
Outputs	8 semiconductor switches + 1 switch-over relay
Maximum current for single output activation	200mA
Maximum current for C, NC or NO activation	1A / 60V
Minimum output activation time	10 sec.
Digital bus connection	2x RJ-44 data connectors
Environment	indoor general
Operational temperature range	-10 to +40 °C
Complies with	EN 50130-4, EN 55022

Jablotron Ltd. hereby declares that the JA-68 is in compliance with the essential requirements and other relevant provisions of Directive 2004/108/EC. The original of the conformity assessment can be found on the web site

materials we suggest you return the product to the dealer or

Relay configuration

The relay is configurable via a set of 10 DIP switches (see Table 2). The relay works with OR logic: it is switched ON if there is at least one preset function activated.