



## OPEL ASTRA MOD.2004

**ALARM LOCATION** To be fitted behind the headlight-driver's side.

**DIRECTION INDICATORS**

*For front indicators:* connect to the BLACK/GREEN (pos.n°12 ) and BLACK/WHITE (pos.n°7 ) wires in the 62-pole black connector in the control unit positioned in the fuse box, driver's side engine compartment, under the support for relays and fuses. For connections to a radio-controlled alarm.

*For rear indicators:* connect to the BLACK/GREEN (pos.n°18 ) and BLACK/WHITE (pos.n°28) wires in the 58-pole black, grey section, connector in the control unit positioned in the driver's side boot. For connections to a radio-controlled alarm.

**ENGINE IMMOBILIZATION**

As the car has an originally fitted transponder-controlled IMMOBILIZER, engine immobilization occurs automatically on removing the ignition key.

**DOOR PUSH-BUTTON**

Connect to the GREY wire in the wiring harness of the ceiling light in the cable housing behind the driver's side window post-cover.

**BOOT PUSH-BUTTON**

Connect to the GREY/GREEN wire in the originally fitted ceiling light of the boot.

*(POSITIVE CONTROL OF THE CEILING LIGHT use the inverter cable code GEMEL 811202580)*

**(originally fitted) ELECTRIC WINDOWS**

The comfort system ( TYPE 1) is activated by extending the closing time on the BROWN/BLACK wire in the wiring harness coming out of the driver's side door.

## ON/OFF CONNECTION

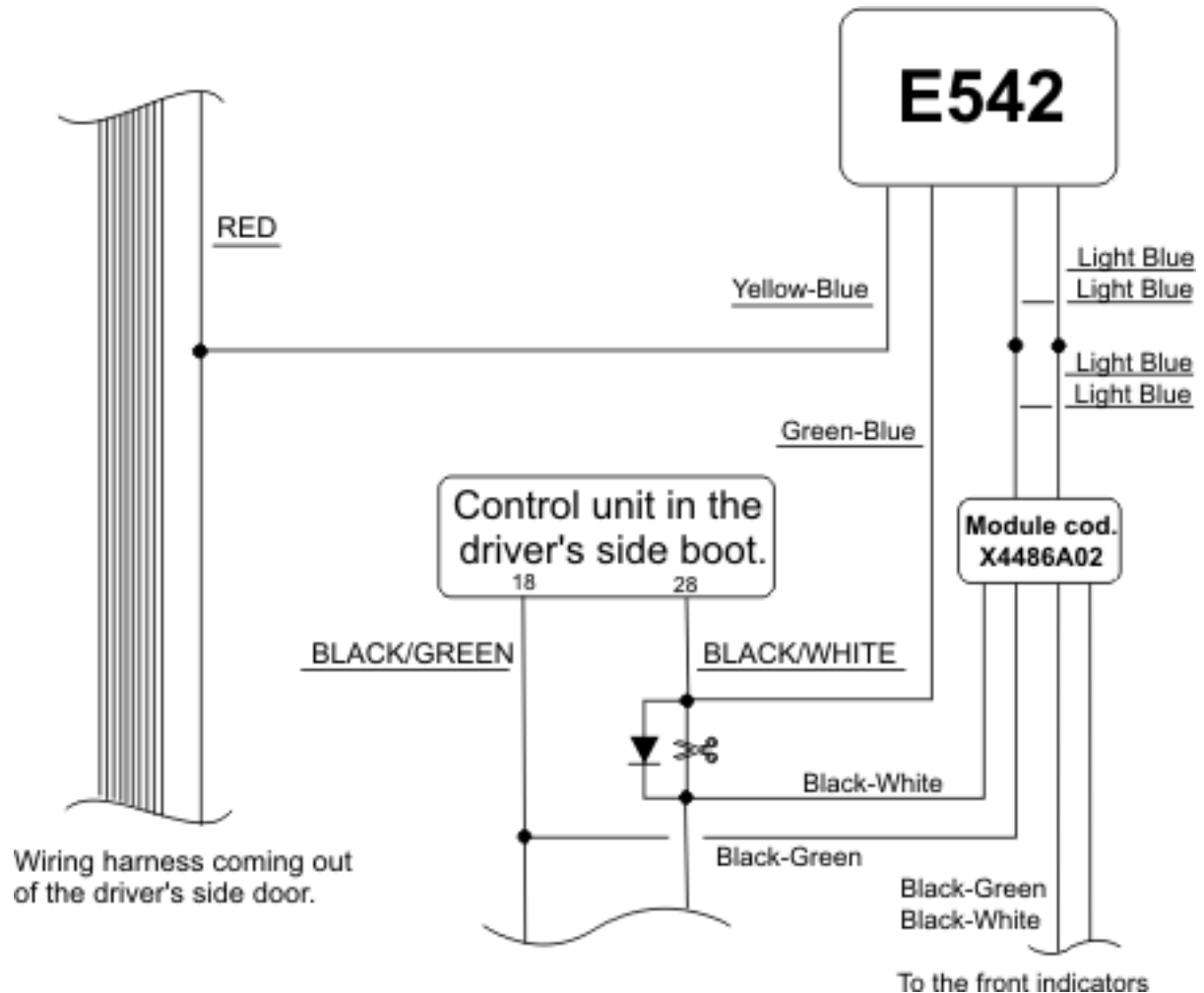
Connect the yellow/blue (ON) wire to the RED wire in the wiring harness coming out of the driver's side door.

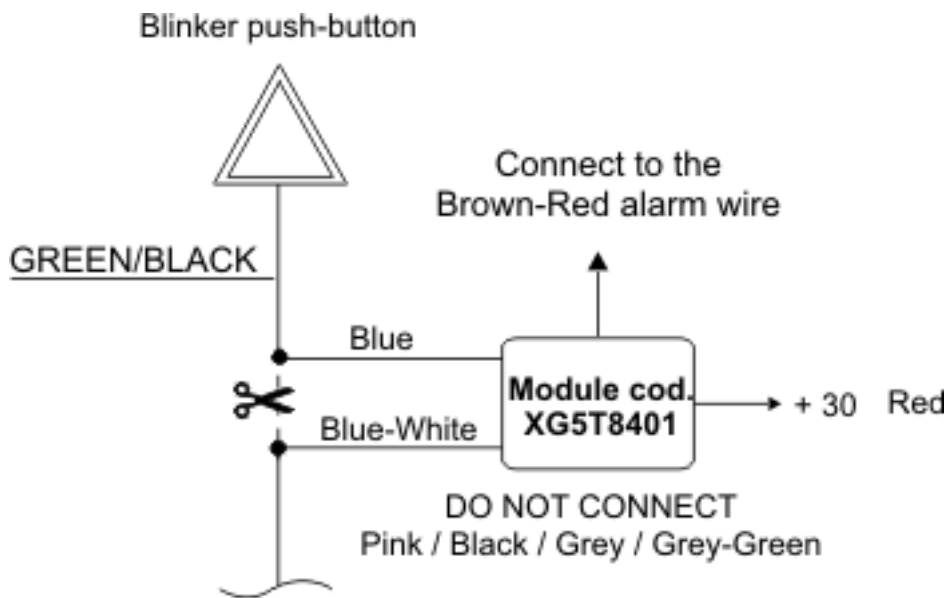
Connect the green/blue (OFF) wire to the BLACK/WHITE (pos.n°28) wire in the 58-pole black, grey section, connector in the control unit positioned in the driver's side boot.

Connect the white/blue wire to the BROWN/WHITE (pos.n°5) wire in the 18-pole black connector on the ON/OFF doors push-button in the central tunnel.

- Yellow/red DO NOT CONNECT

**SEE DIAGRAM**





GREEN/WHITE (pos.n°6) wire in the 18-pole black connector on the blinker push-button located in the centre of the dashboard

---

**The above-mentioned information is given as an indication only and is in no way binding**